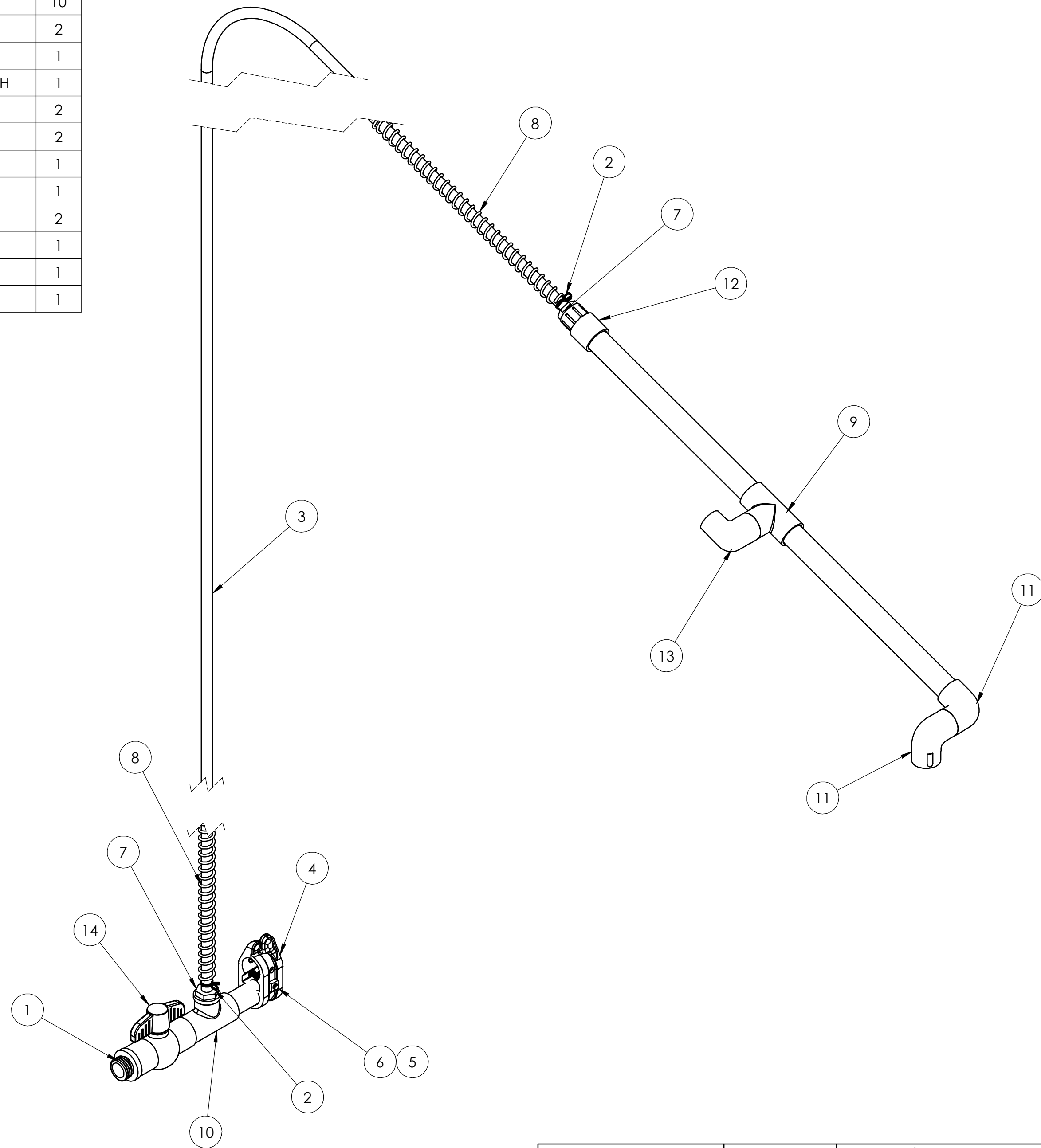



ITEM NO.	PART NUMBER	Description	QTY.
1	VE326	GARDEN HOSE ADAPTER	1
2	VF204C	3/8" WIRE HOSE CLAMP	2
3	VF205	URETHANE HOSE .375 x .490 (TRANSPARENT YELLOW)	10
4	VH309B	ALUMINUM HOLDING BRACKET ONLY	2
5	VN150	1/4-20 SQ NUT ZP NUT FOR HANGER BRACKET	1
6	VN160	1/4 - 20 X 1 3/4 BOLT FOR ALUM HOLDING BRACKET & WINCH	1
7	VRP45	1/2" THREADED MALE HOSE CONNECTOR (3/8" BARB)	2
8	VS130	SPRING FOR 18" FLEXIBLE STANDPIPE	2
9	VT100	3/4" PVC TEE S X S X S	1
10	VT101	3/4" PVC TEE S X S X 1/2" THREAD	1
11	VT102	3/4" PVC 90 ELL S X S	2
12	VT106	3/4" FEMALE SLIP X 1/2" FPT PVC REDUCER	1
13	VT134	3/4" PVC 90 ELL S X 1/2" THREAD	1
14	VV801	3/4" BALL VALVE SCHEDULE 80	1



VF200

NOTE:
DRAIN PIPES ARE NOT INCLUDED IN KIT

UNSPECIFIED TOLERANCES DECIMAL ± .063 2 PLACE ± .031 3 PLACE ± .015 4 PLACE ± .015 ANGULAR ± 1/2°	DIMENSIONS IN () ARE MILLIMETERS UNLESS OTHERWISE SPECIFIED. DO NOT SCALE	 VALCO COMPANIES, INC. PO BOX 8 NEW HOLLAND, PA 17557
DATE 9/23/2011	NAME AUTOMATIC FLOOR FLUSH KIT PER LINE	
DRAWN DBT	MATERIAL	
CHECK	FINISH -	
WEIGHT		
SCALE 1:1	SHEET 1 OF 1	VF200
		REV. -